

Submittal Data

PROJECT:	UNIT TAG:	QUANTITY:
REPRESENTATIVE: _____	TYPE OF SERVICE:	DATE: _____
ENGINEER:	SUBMITTED BY:	DATE:
CONTRACTOR:	APPROVED BY:	DATE:
	ORDER NO.:	DATE:

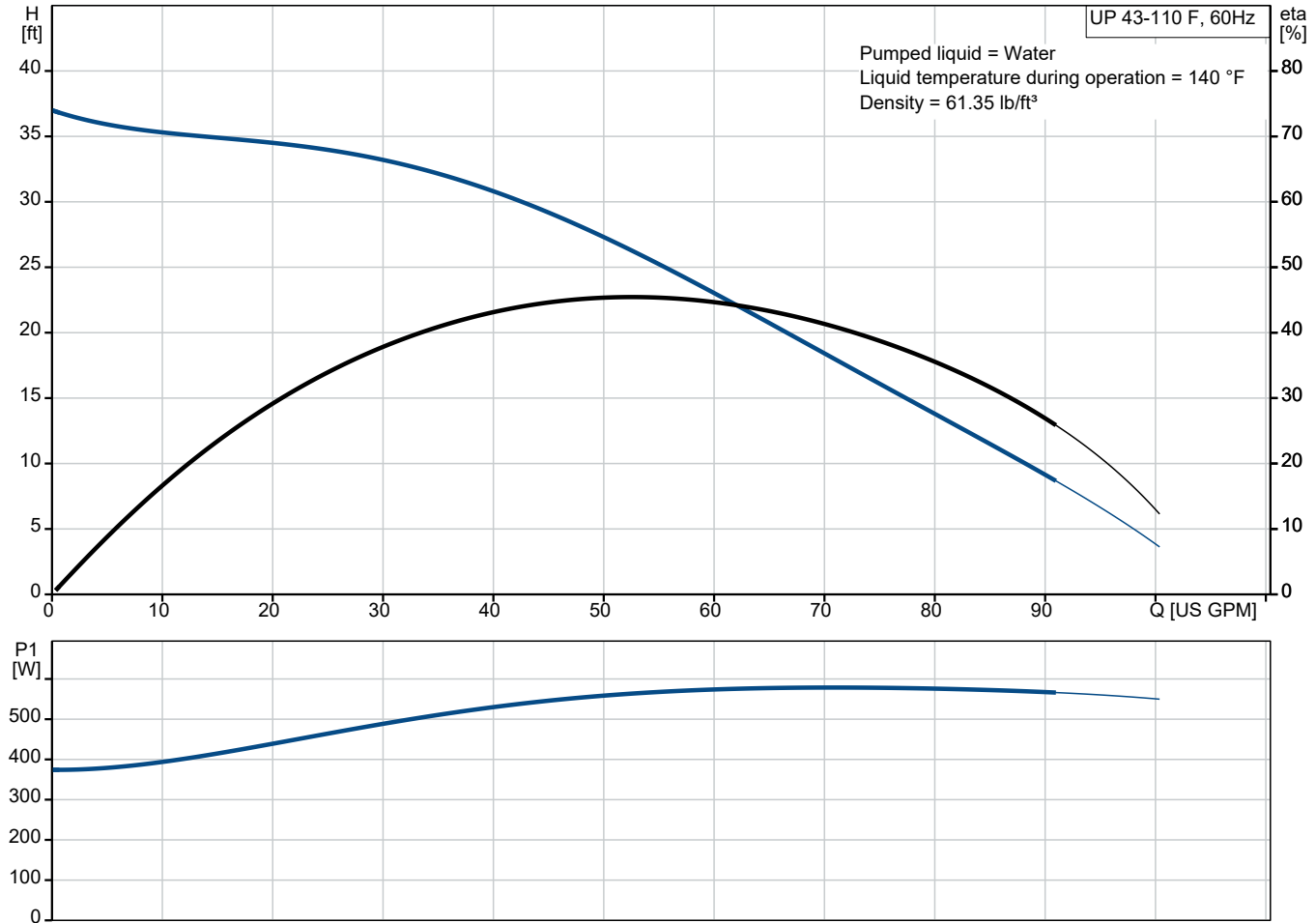


UP 43-110 F

UP is a single-speed circulator pump designed for domestic heating systems. The pump provides reliable and maintenance-free operation as well as low energy consumption throughout its long lifespan.

Note! Product picture may differ from actual product

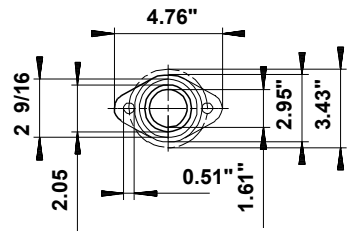
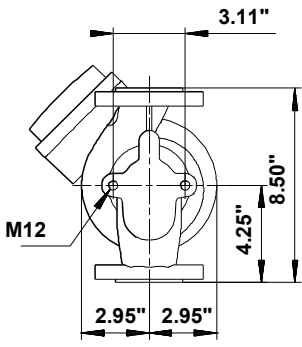
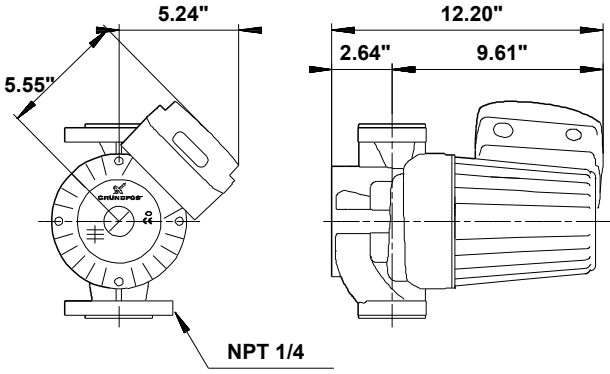
Conditions of Service		Pump Data		Motor Data	
Liquid:	Water	Liquid temperature range:	14 .. 230 °F	Max. power input:	590 W
Temperature:	140 °F	Maximum ambient temperature:	104 °F	Rated voltage:	115-230 V
Specific Gravity:	0.985	Pipe connection:	GF 40/43	Mains frequency:	60 Hz
		Product number:	On request	Enclosure class:	X4D
				Thermal protection:	INT.



Submittal Data

3

2



- Materials:**
 Pump housing: Cast iron
 Pump housing: ASTM 35 B - 40 B
 Impeller: Stainless steel
 Impeller: AISI 304
 Impeller: EN 1.4301

Qty. Description

1 UP 43-110 F



Note! Product picture may differ from actual product

Product No.: On request

The pump is of the canned rotor type, i.e. pump and motor form an integral unit without shaft seal and with only two gaskets for sealing. The bearings are lubricated by the pumped liquid.

In order to avoid problems in connection with disposal, great importance has been attached to using as few different materials as possible.

The pump is characterized by:

- * 1 speed motor.
- * Ceramic radial bearings.
- * Carbon axial bearing.
- * Stainless steel rotor can, bearing plate and rotor cladding.
- * Aluminium alloy stator housing.
- * Cast iron pump housing.
- * Stator with built-in thermal switch.

The motor is a 1-phase motor.

The pump is supplied with a standard module in the terminal box.

The standard module is to be connected to the mains supply via external contactor.

Controls:

Relay: N

Liquid:

Pumped liquid: Water
 Liquid temperature range: 14 .. 230 °F
 Selected liquid temperature: 140 °F
 Density: 61.35 lb/ft³

Technical:

Approvals: CCSAUS

Materials:

Pump housing: Cast iron
 EN 1561 EN-GJL-250
 ASTM 35 B - 40 B
 Impeller: Stainless steel
 EN 1.4301
 AISI 304



Company name:

Created by:

Phone:

Date:

3/26/2024

Qty. Description

1	Installation:	
	Maximum ambient temperature:	104 °F
	Maximum operating pressure:	145.04 psi
	Type of connection:	DIN
	Pipe connection:	GF 40/43
	Pressure rating for connection:	PN 10
	Port-to-port length:	8 9/16 in
	Electrical data:	
	Max. power input:	590 W
	Mains frequency:	60 Hz
	Rated voltage:	1 x 115-230 V
	Current in speed 3:	5.1/2.7 A
	Cos phi:	0.98
	Capacitor size - run:	60 µF/240 V
	Enclosure class (IEC 34-5):	X4D
	Insulation class (IEC 85):	F
	Built-in motor protection:	CONTACT
	Others:	
	Terminal box position:	1.30H
	Net weight:	37.9 lb
	Gross weight:	43.9 lb
	Shipping volume:	2.08 ft³



Company name:

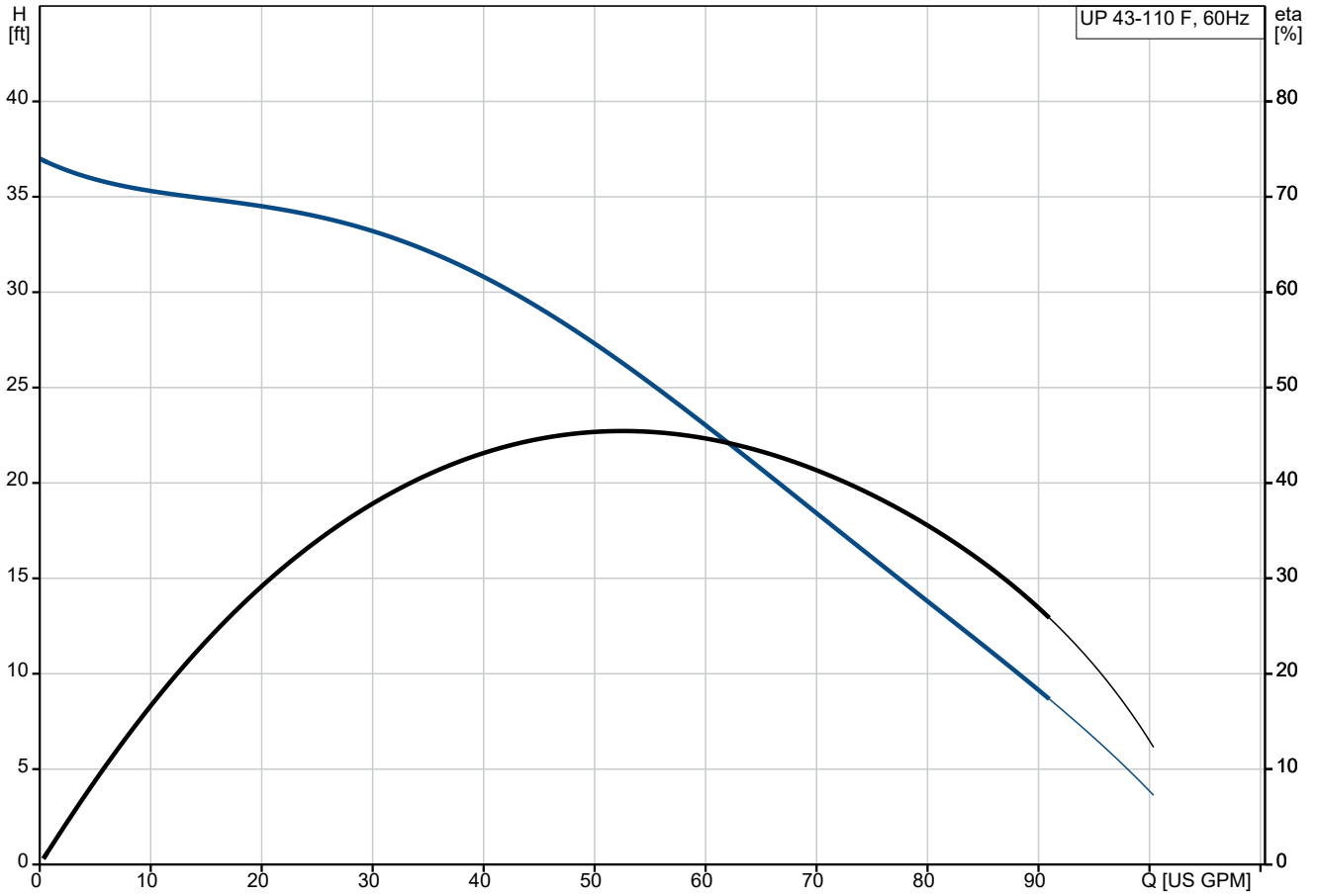
Created by:

Phone:

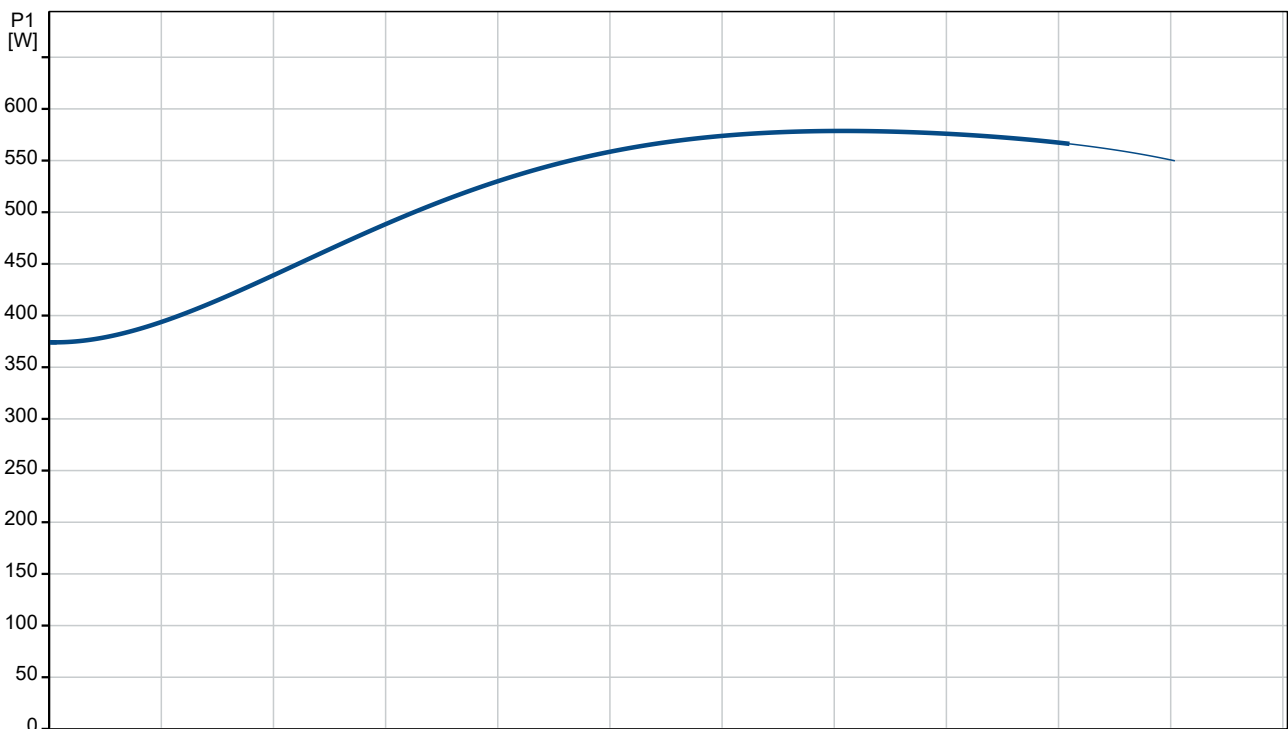
Date:

3/26/2024

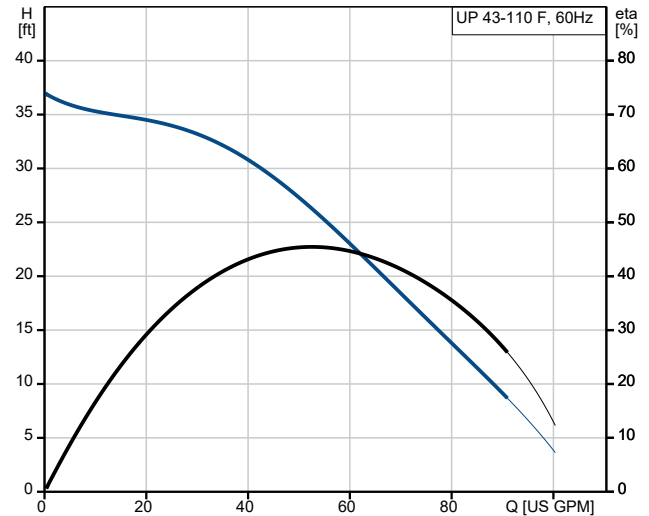
On request UP 43-110 F 60 Hz



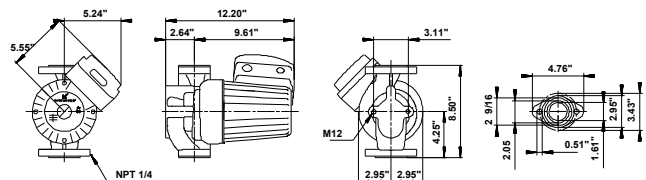
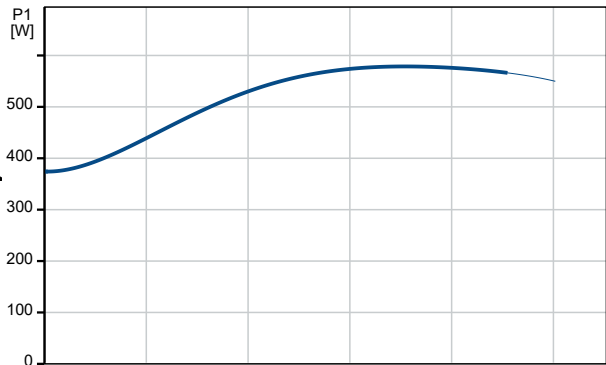
Pumped liquid = Water
Liquid temperature during operation = 140 °F
Density = 61.35 lb/ft³



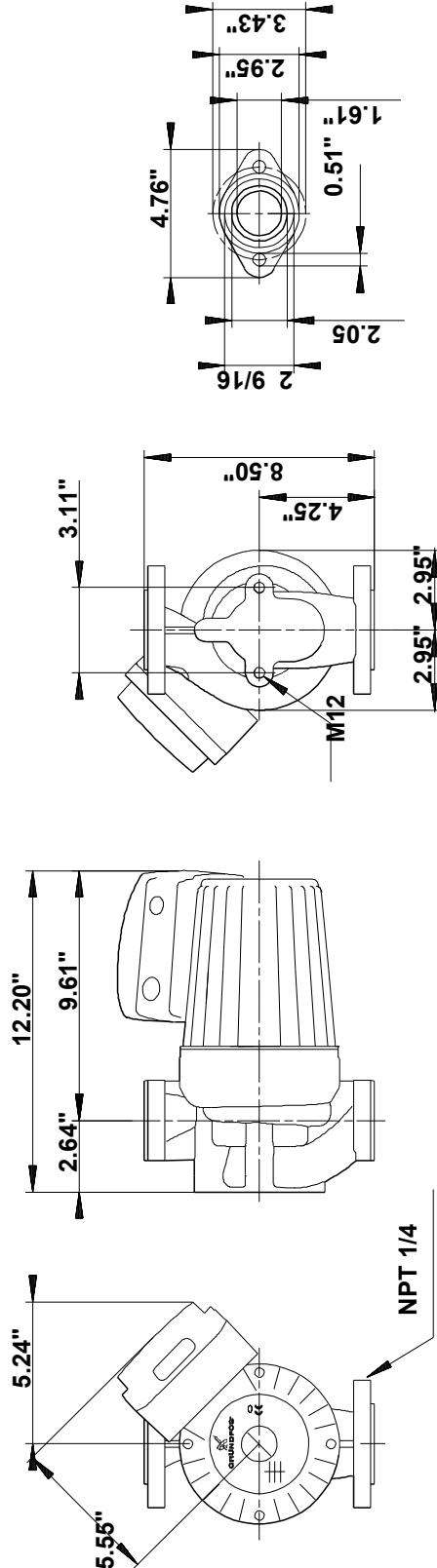
Description	Value
General information:	
Product name:	UP 43-110 F
Product No:	On request
EAN number:	On request
Price:	
Technical:	
Speed no:	1
Maximum head:	36.09 ft
Approvals:	CCSAUS
Model:	B
Materials:	
Pump housing:	Cast iron
Pump housing:	EN 1561 EN-GJL-250
Pump housing:	ASTM 35 B - 40 B
Impeller:	Stainless steel
Impeller:	EN 1.4301
Impeller:	AISI 304
Installation:	
Maximum ambient temperature:	104 °F
Maximum operating pressure:	145.04 psi
Type of connection:	DIN
Pipe connection:	GF 40/43
Pressure rating for connection:	PN 10
Port-to-port length:	8 9/16 in
Connect code:	F
Liquid:	
Pumped liquid:	Water
Liquid temperature range:	14 .. 230 °F
Selected liquid temperature:	140 °F
Density:	61.35 lb/ft ³
Electrical data:	
Max. power input:	590 W
Mains frequency:	60 Hz
Rated voltage:	1 x 115-230 V
Current in speed 3:	5.1/2.7 A
Cos phi:	0.98
Capacitor size - run:	60 µF/240 V
Enclosure class (IEC 34-5):	X4D
Insulation class (IEC 85):	F
Built-in motor protection:	CONTACT
Thermal protec:	INT.
Controls:	
Relay:	N
Others:	
Terminal box position:	1.30H
Net weight:	37.9 lb
Gross weight:	43.9 lb
Shipping volume:	2.08 ft ³



Pumped liquid = Water
 Liquid temperature during operation = 140 °F
 Density = 61.35 lb/ft³



On request UP 43-110 F 60 Hz



Note! All units are in [in] unless others are stated.
 Disclaimer: This simplified dimensional drawing does not show all details.

